

MD IR N270

uDIM - surface anthracite
 EAN 4007841 079857
 Article number 079857



Eagle Eye Technology



Bluetooth



Settings via App



Digital sensor setting



2 - 2000 lux (via App)



IP54



CE

Function description

His eagle eye sees more. Our nexx.IS PRO series was specially developed for reliable outdoor detection applications and is the ideal solution for building entrances and façades. Thanks to innovative 'Eagle Eye' technology, a specific detection area can be improved by 200 per cent when the sensor is viewed from the front. This means that access areas, for example, can be monitored even more precisely. This is made possible by a small, individually positionable window in the lens. The sensors in the nexx.IS PRO series can be networked via Bluetooth Mesh and offer all Connect functionalities. For example, outdoor lights connected via Bluetooth Mesh can be controlled, timer programmes defined and wireless push-buttons connected. The innovative sensor family covers three different detection areas. A surface-mounted version with a detection range of 130° or 270° is available for wall mounting. A 360° solution is available for the ceiling, either as a surface-mounted or recessed version. All models are available in the colours white and anthracite. The nexx.IS PRO series is available with COM1 and uDIM interfaces (leading and trailing edge phase dimming). With uDIM, soft light start and ambient light can now also be used with conventional luminaires. Prerequisite: the light source must be dimmable.

Technical specifications

Dimensions (L x W x H)	87 x 82 x 98 mm	Optimum mounting height	2,5 m
With motion detector	Yes	Detection angle	270 °
Manufacturer's Warranty	5 years	Sneak-by guard	Yes
Settings via	Bluetooth, App	Capability of masking out individual segments	Yes
With remote control	No	Electronic scalability	Yes
Version	uDIM - surface anthracite	Mechanical scalability	No
PU1, EAN	4007841079857	Reach, radial	r = 2.7 m (17 m ²)
Type	Motion detectors	Reach, tangential	r = 12.5 m (368 m ²)
Application, place	Outdoors	Switching zones	442 switching zones
Colour	Anthracite	Cover material	Cover clips
Colour, RAL	7016	Twilight setting	2 – 2000 lx
Includes corner wall mount	Yes	Time setting	5 s – 60 Min.
Installation	Surface wiring	Basic light level function	Yes

MD IR N270

uDIM - surface anthracite
EAN 4007841 079857
Article number 079857



Technical specifications

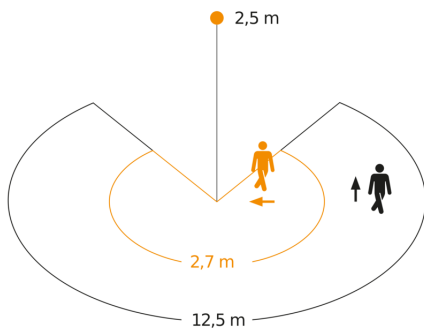
IP-rating	IP54
Ambient temperature	from -20 up to 40 °C
Material	Plastic
Mains power supply	50 – 60 Hz
Technology, sensors	passive infrared, Mixed light metering
Mounting height	1,8 – 6,00 m
Mounting height max.	6,00 m

Basic light level function time	5s-60 min
Twilight setting TEACH	Yes
Constant-lighting control	No
Interconnection	Yes
Interconnection via	Bluetooth Mesh
Reichweite Radial Eagle Eye max.	6 m
Product category	Motion detector

MD IR N270

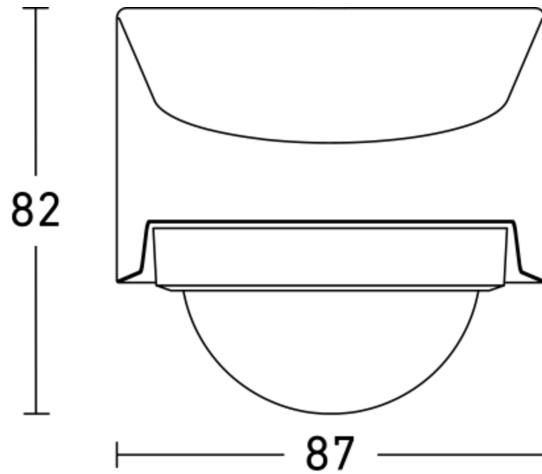
uDIM - surface anthracite
EAN 4007841 079857
Article number 079857

Detection Zone

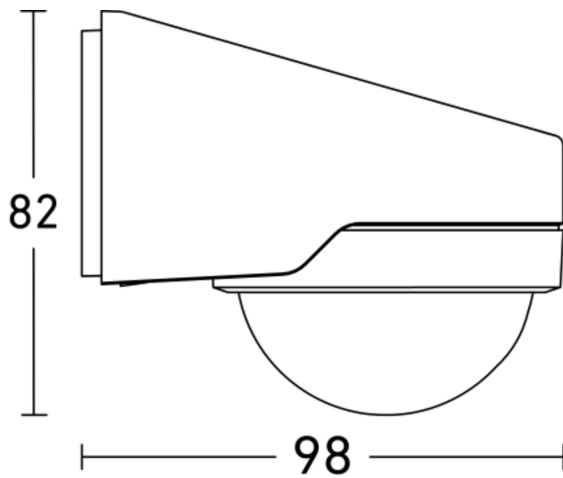


Possible mounting height: 1,80 m - 6,00 m
Orange: radial
Black: tangential

Dimension Drawing 1



Dimension Drawing 2



Circuit diagram for phase and section dimming

